



NAFAS NATIONAL SHOW 2025

GLOUCESTER CATHEDRAL 'NATURE'S CHALLENGE'

All classes in the schedule are to be regarded as exhibits

THE NAVE

Class 1

NATURE'S CHALLENGE

Area Class

Space allowed: Width 120cm, depth 120cm, height optional

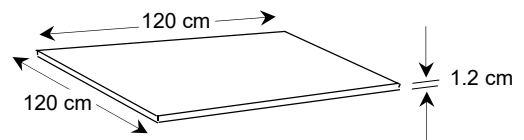
Staged on a 120cm square base, 1.2cm thick

Base painted Dulux Satinwood 'Goose Down'

Viewed and judged all round

Open only to Areas affiliated to NAFAS

Staged by a maximum of 2 competitors



Class 2

AUTUMNAL ACOUSTICS

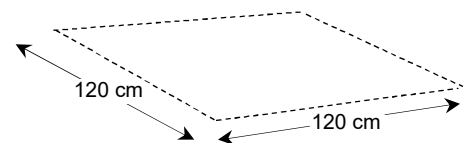
Pedestal Class

Space allowed: Width 120cm, depth 120cm, height optional

Staged against a stone pillar

Viewed and judged from the front

Competitor to provide own base if required



SOUTH AISLE

Class 3

GEARING UP

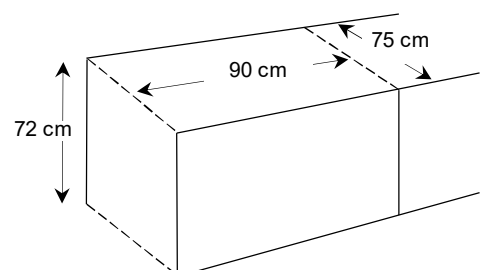
Steampunk Class

Space allowed: Width 90cm, depth 75cm, height optional

Staged on open tabling 72cm from floor covered with sage green fabric

Viewed and judged from the front

Battery controlled LED strip lighting will be laid along the front and back of the tabling



TOP OF NAVE

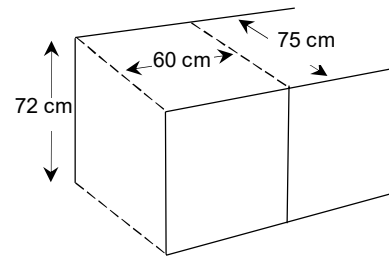
Class 4

DYNAMICALLY DRAMATIC

Space allowed: Width 60cm, depth 75cm, height optional

Staged on open tabling 72cm from floor covered with black fabric

Viewed from front and back and judged from the front



SOUTH TRANSEPT

Class 5

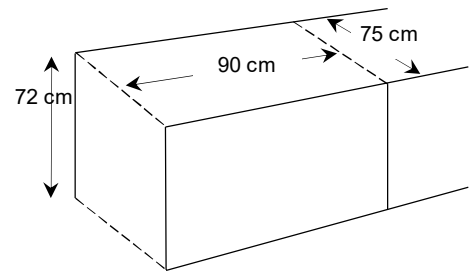
TIMELESS BEAUTY

Still Life Class

Space allowed: Width 90cm, depth 75cm, height optional

Staged on open tabling 72cm from floor covered with sage green fabric

Viewed and judged from the front



ST JOHN THE BAPTIST CHAPEL

Class 6

FLORAL FILIGREE

Craft Class

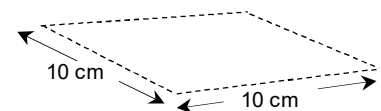
A piece or pieces of Floral Jewellery

Space allowed: Width 10cm, depth 10cm, height optional

Staged on a shelf 140cm from the floor painted Dulux Satinwood 'Goose Down'

Must be brought ready assembled

Viewed and judged through the spaces of a wooden screen



ST THOMAS CHAPEL

Class 7

SCROLLING THROUGH THE ARCHIVES

Craft Class. A decorated Book Cover

Space allowed: Width 45cm, depth 45cm, height optional

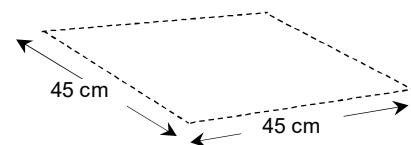
Staged on a painted board laid on bench seating approximately 40cm from the floor

Boards painted Dulux Satinwood 'Goose Down'

Must be brought ready assembled

Viewed and judged from above

This class is staged In Tribute To Iris Webb



OUTSIDE THE LADY CHAPEL

Class 8a

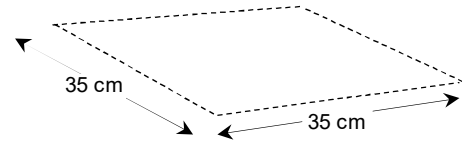
BUG HOTEL

Space allowed: Width 35cm, depth 35cm, height optional

Staged on open tabling covered with natural hessian

Must be brought ready assembled

Open only to young people aged 7-12 years affiliated to NAFAS



Class 8b

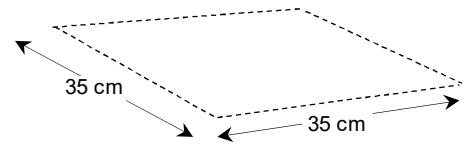
BUG HOTEL

Space allowed: Width 35cm, depth 35cm, height optional

Staged on open tabling covered with natural hessian

Must be brought ready assembled

Open only to young people aged 13-17 years affiliated to NAFAS



NORTH AMBULATORY

Class 9

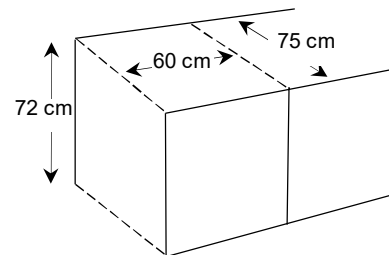
FIRESTORM

Space allowed: Width 60cm, depth 75cm, height optional

Staged on open tabling 72cm from floor covered with yellow hessian

Viewed and judged from the front

Battery controlled LED strip lighting will be laid along the front and back of the tabling



PRESBYTERY

Class 10

METAMORPHOSIS

Club Class

Space allowed: Width 80cm, depth 80cm, height optional

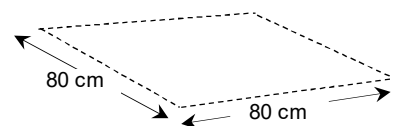
Staged on a decorative tiled floor

Competitors to provide own base if required

Viewed all round and judged from the front

Open only to Clubs affiliated to NAFAS

Staged by a maximum of 2 competitors



Class 11

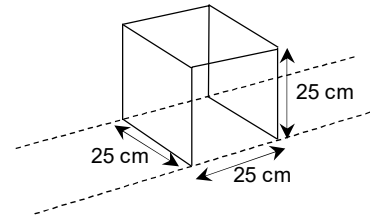
URBAN NATURE

Petite Class

Space allowed: Width 25cm, depth 25cm, height optional

Staging: A Perspex stand: Width 25cm, depth 25cm, height 25cm placed on a board painted with Dulux Satinwood 'Hazelnut Truffle', approximately 78cm from the floor

Viewed and judged from the front



NORTH TRANSEPT

Class 12

CRYPTIC CHALLENGE

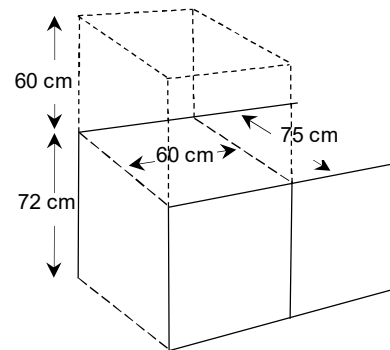
Imposed Class

Space allowed: Width 60cm, depth 75cm, height 60cm

Staged on open tabling 72cm from floor covered with sage green fabric

Viewed and judged from the front

Additional entry fee required



CLOISTERS

Class 13

WINTER'S WOVEN ROBE

Foam - Free Class

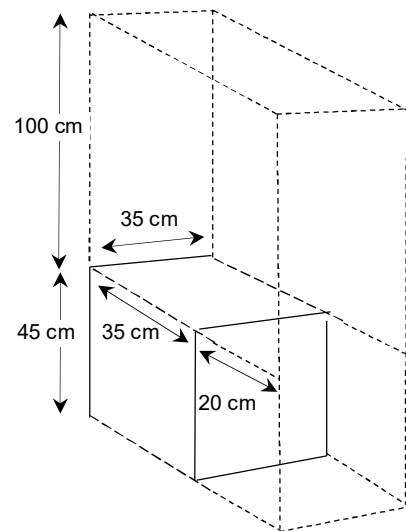
Space allowed: Width 35cm, depth 55cm, height 100cm from top of ledge

Staged on a stone ledge depth 35cm, 45cm from the floor

Exhibits may extend beyond the front of the ledge by up to 20cm but must not touch the floor

Viewed and judged from the front

No type of floral foam or substitute, e.g. Agra Wool, FibreFloral, TerraBrick, etc, is permitted



Class 14

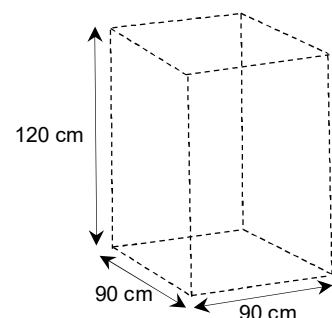
TO REST AMID THE FLOWERS

A Decorated Chair

Space allowed: Width 90cm, depth 90cm, height 120cm

Staged on the stone floor of the Cloisters

Viewed and judged from the front



NORTH AISLE

Class 15

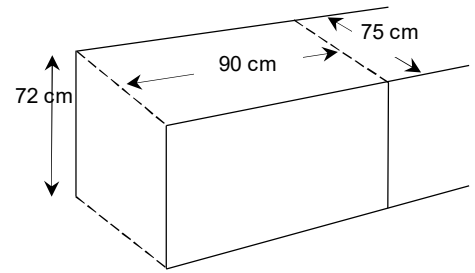
BEAUTY OF THE WILD

Meadow Class

Space allowed: Width 90cm, depth 75cm, height optional

Staged on open tabling 72cm from floor covered with natural hessian

Viewed and judged from the front



Class 16

ENIGMATIC ENTANGLEMENT

A Suspended exhibit

Space allowed: Width 50cm, depth 50cm, maximum drop from hook 120cm

Staging: A black metal stand with a hook for hanging, set against a stone pillar

Hook approximately 226cm from the floor

Competitor to provide loop for hanging

Weight restriction of 5kg

Viewed and judged all round

